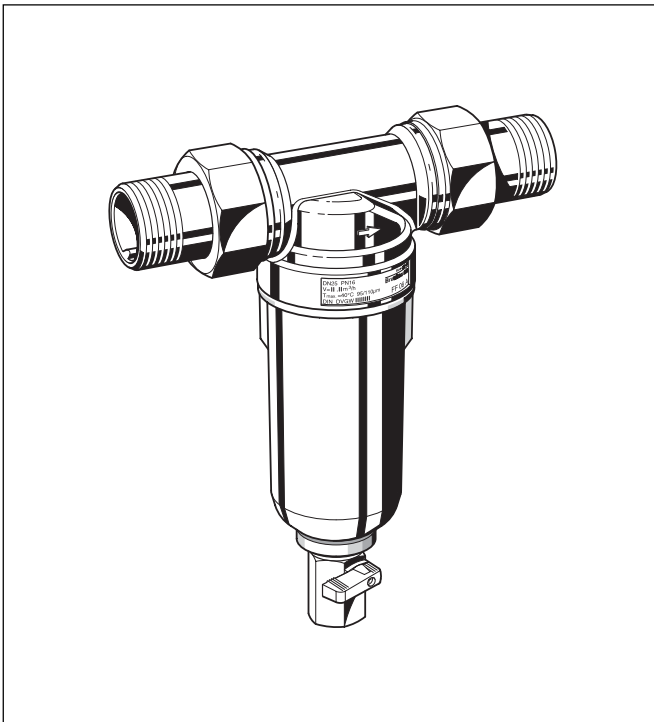


# miniplus FF06-AAM

Rinsable fine filter  
with brass filter bowl

### Product specification sheet



#### Construction

The filter combination comprises:

- Housing with female and male threads simultaneous
- Threaded connections
- Fine filter in brass filter bowl
- Ball valve

#### Materials

- Body of dezincification resistant pressed brass
- Threaded male connections of brass
- Stainless steel fine filter
- Filter bowl of dezincification resistant brass

#### Application

Rinsable fine filters FF06-AAM ensure a continuous supply of filtered water. The fine filter stops the flow of particles, for example rust particles, strands of hemp, or grains of sand. Sediment collected at the bottom of the filter bowl can simply be removed by flushing with the flick of a finger.

Compact in size, these filters were designed to fit where space is limited.

#### Special Features

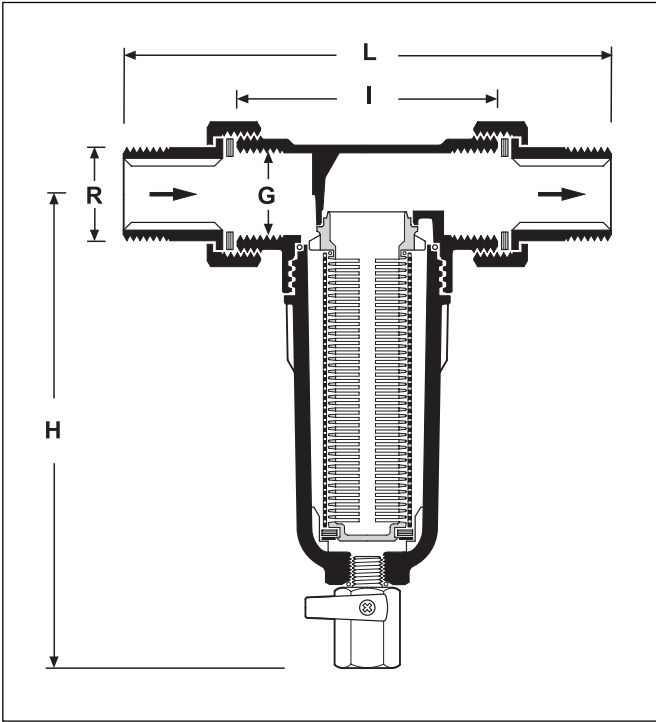
- Easy installation
- Continuous supply of filtered water, also during rinse cycle
- Filter bowl of brass - suitable for hot water installations also
- Reliable and tested

#### Range of Application

Medium Water

#### Technical Data

Installation position	Horizontal, with filter bowl downwards
Operating pressure	Maximum 16.0 bar
Operating temperature	Maximum 80 °C
Connection sizes	1/2", 3/4", 1"



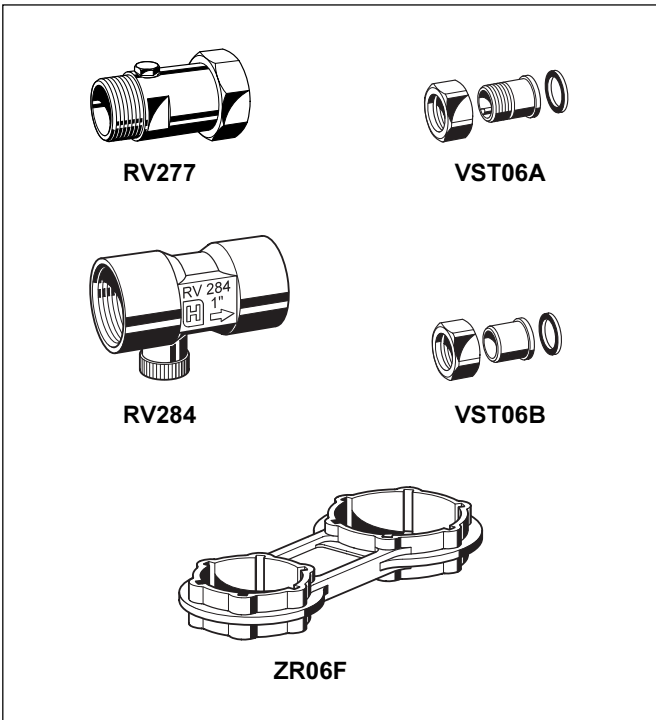
**Method of Operation**

The fine filter is composed of a body and a rinsable fine filter insert. During normal operation, water flows through the filter mesh to the body outlet. To rinse the filter, the ball valve is opened which discharges the dirt particles. A continuous supply of filtered water is available also during the rinse cycle.

**Options**

FF06-AAM ... AA= Threaded male connections,  
 filter mesh size 100 µm  
 Connection size

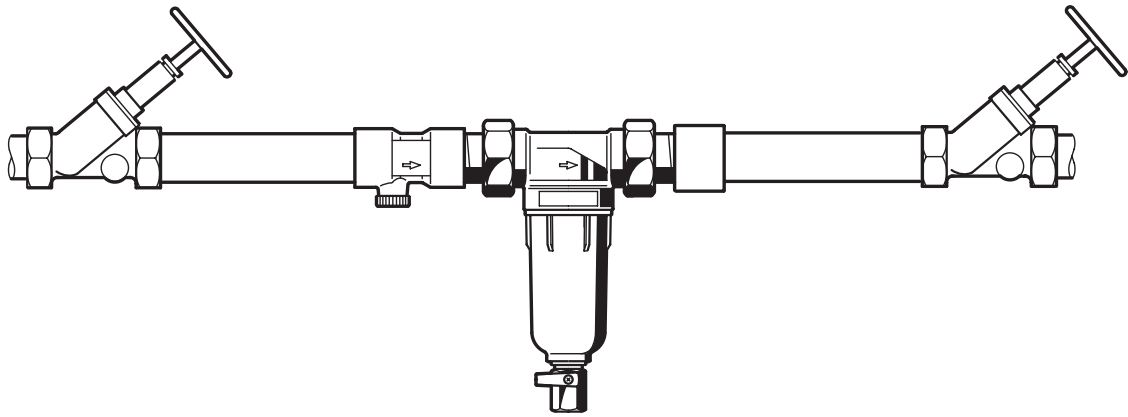
Connection size	R	1/2"	3/4"	1"
	G	1/2"	3/4"	1"
Approximate weight	(kg)	1.4	1.46	1.76
Dimensions	(mm)			
	L	140	158	79
	I	80	90	100
	h	158	180	180
Flow rate at Δp = 0,2 bar	(m³/h)	1.5	2.8	3.2
kvs-value		3.3	6.3	7.2



**Accessories**

- ZR06F Double ring wrench**  
For removing filter bowl
- RV277 Inlet non-return valve**  
For filter sizes 3/4", 1"
- RV284 Non return valve**  
For filter sizes R 1/2", 3/4", 1"
- VST06 Connection set**  
With threaded or soldered unions  
A = Threaded tailpiece  
B = Soldered tailpiece

**Installation Example**



**Installation Guidelines**

- Install in horizontal pipework with filter bowl downwards
  - This position ensures optimum filter efficiency
- Fit shut-off valves
- Ensure good accessibility
  - Simplifies maintenance and inspection

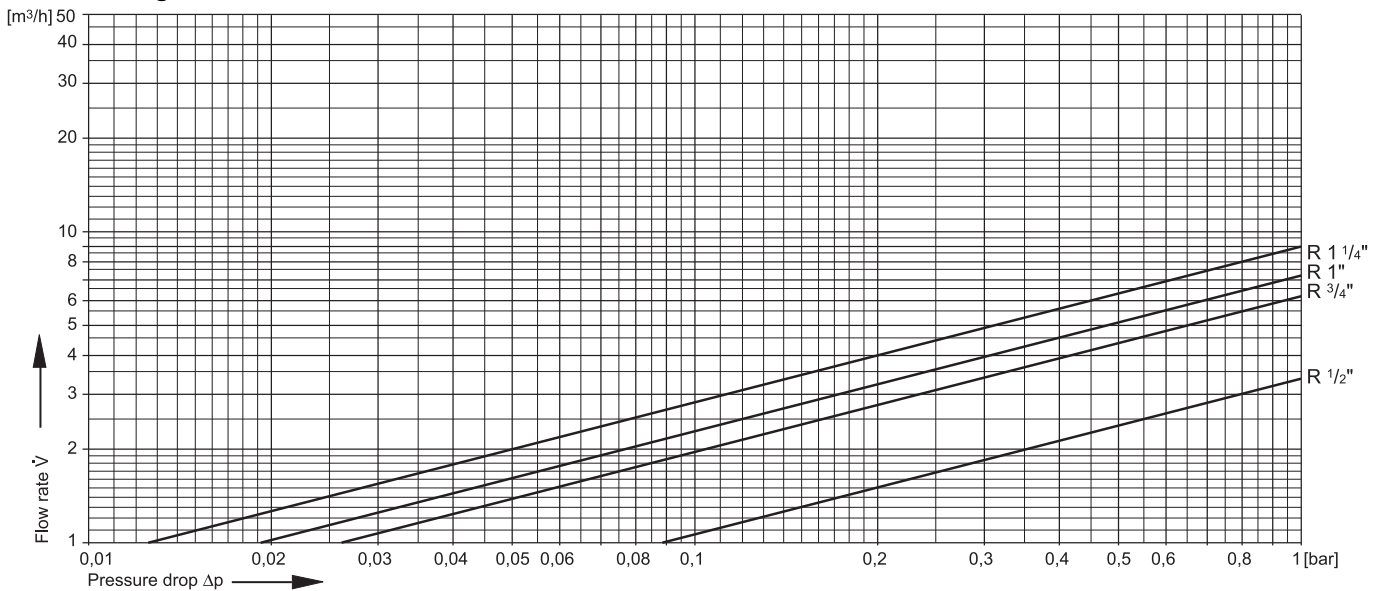
**Typical Applications**

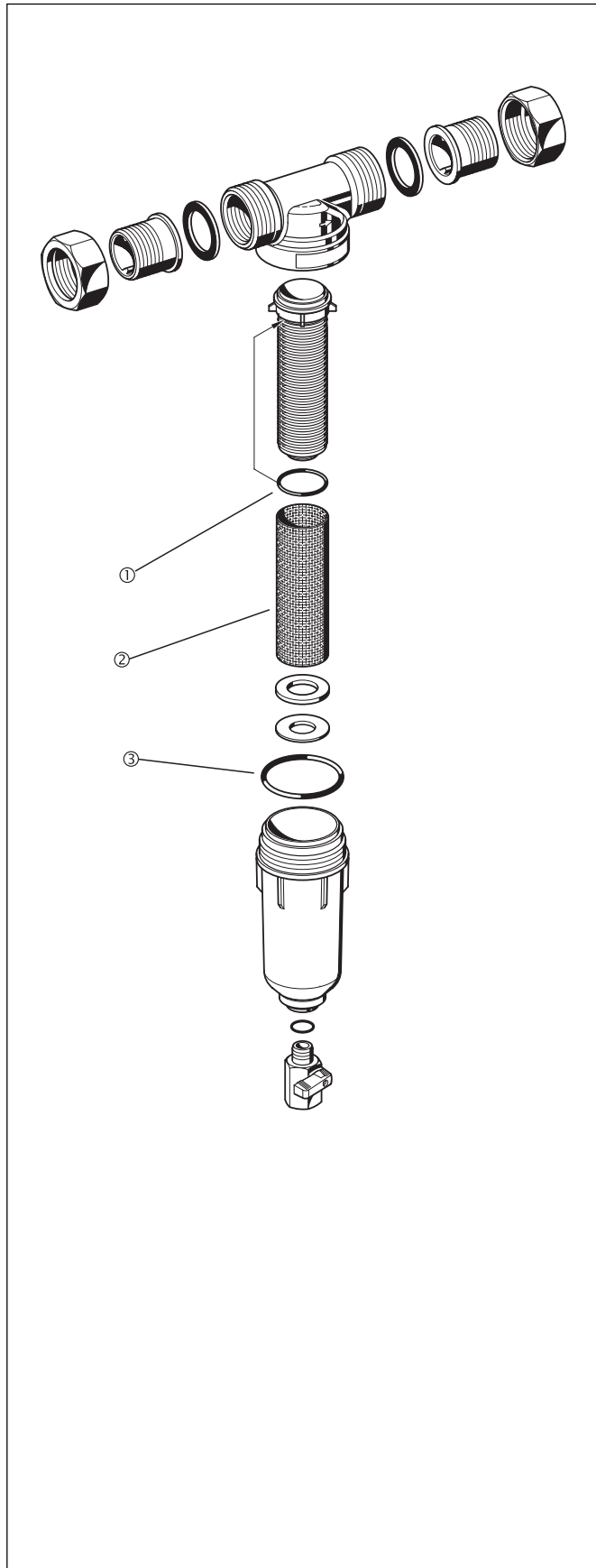
FF06-AAM fine filters are suitable for all types of hot and cold water installations. They can also be used for commercial and industrial applications within the limits of their specifications.

FF06-AAM fine filters are installed:

- Where no pressure reducing valve is required (maximum 5.0 bar static pressure)
- Where a pressure reducing valve is already fitted but cannot be retrofitted with a filter

**kvs-value Diagram**





**Spare Parts for miniplus FF06-AAM Fine Filters  
(From 1997 onwards)**

Description	Nominal size	Part number
① O-ring set for mesh carrier (pack of 10)	1/2"	0903127
	3/4" - 1"	0903128
② Replacement sieve	1/2"	AS06-1/2A
	3/4" - 1"	AS06-1A
③ O-ring set for filter bowl (pack of 10)	1/2"	0901246
	3/4" - 1"	0901499

**ROBINEX** AG  
SA

**Armaturen Robinetterie Rubinetterie**  
Bernstrasse 36, CH-4663 Aarburg/Oftringen  
Telefon 062 787 70 00, Fax 062 787 70 01  
info@robinex.ch, www.robinex.ch  
EN0H-1127GE23 R0404

**Honeywell**  
**Braukmann**