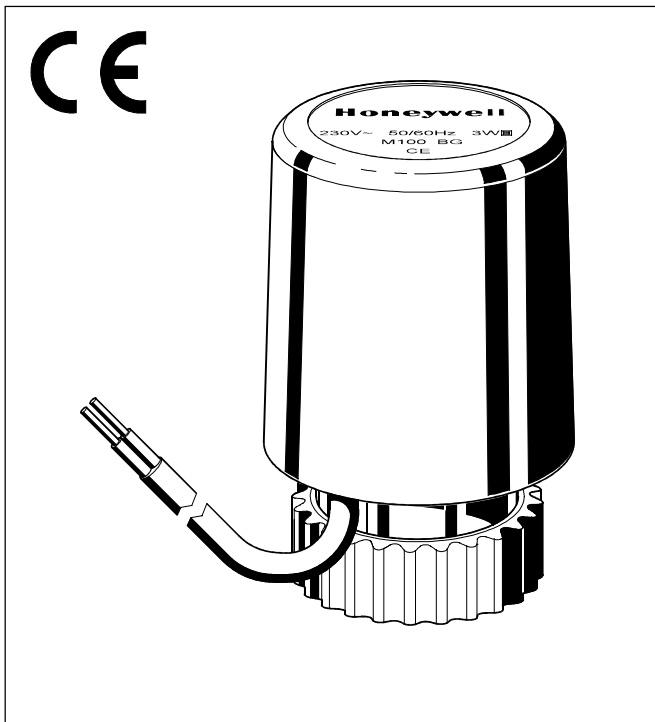


## M100

### SMALL LINEAR THERMOELECTRIC ACTUATOR

#### PRODUCT DATA



#### Design

- Available in normally open or normally closed versions
- M30 x 1,5 connection (other connections available on request)
- Fits on specified Honeywell and Heimeier thermostatic radiator valves and valve inserts for manifolds and compact radiators
- Power supply 24V or 230V
- Auxiliary switch models to drive pump or fan

#### Application

M100 small linear actuators are used with Honeywell room-temperature controllers and/or for time-controlled two-point regulation of heating and cooling systems equipped with fan coil units, radiators, floor heating systems, etc.

#### Features

- Small size allows limited space installation
- Reliable longtime operation
- No mounting tools required
- Noiseless operation
- Ready-to-wire connection cable
- Visual valve position indicator furnished with actuator
- Overload protection (4kV) for 230V versions

#### Specifications

|                            |   |
|----------------------------|---|
| <b>Opening time</b>        | M100-AG; -AO; -BG; -BO; -AGE; -BGE: approx. 3 min<br>M100-AGX; -AOX; -BGX; -BOX: approx. 5,5 min                |
| <b>Closing time</b>        | see diagram on next page  |
| <b>Maximum stroke</b>      | 4 mm  |
| <b>Stem force</b>          | 90 N  |
| <b>Ambient temperature</b> | max. 50°C (122°F)   |
| <b>Power supply</b>        | 24V $\cong$ ; 50/60 Hz <b>A</b> ..-Versions<br>230V ~ ; 50/60 Hz <b>B</b> ..-Versions                           |
| <b>Initial current</b>     | M100-AG; -AO; -AGE: ~ 0,6 A<br>M100-BG; -BO; -BGE: ~ 0,3 A<br>M100-AGX; -AOX: ~ 0,2A<br>M100-BGX; -BOX: ~ 0,05A |
| <b>Permanent current</b>   | M100-AG; -AO; -AGE: 0,09A<br>M100-BG; -BO; -BGE: 0,013A<br>M100-AGX; -AOX: 70mA<br>M100-BGX; -BOX: 7mA          |
| <b>Power Consumption</b>   | M100-AG; -AO; -BG; -BO; -AGE; -BGE: 3W<br>M100-AGX; -AOX; -BGX; -BOX: 2W  |
| <b>Protection standard</b> | IP43  |
| <b>Cable length</b>        | 1 m (3,3 ft), other cable lengths possible on request   |
| <b>Cable wires</b>         | 2 x 0,5 mm <sup>2</sup><br>4 x 0,5 mm <sup>2</sup> for M100-AGE; -BGE   |
| <b>Switch</b>              | M100-AGE; -BGE: 5A  |

**NOTE:** Opening and closing times depend on ambient temperature. Current values at nominal voltage and resistance.

## Dimensions

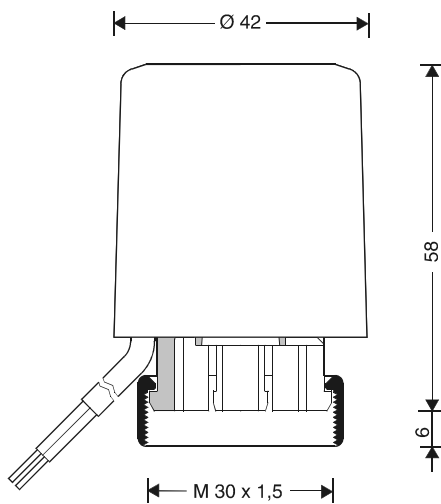


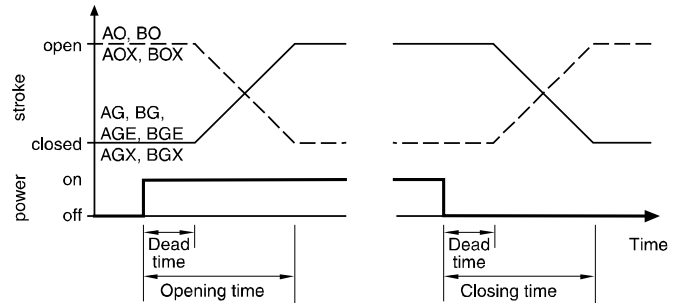
Fig. 1. Dimensions

NOTE: All dimensions in mm unless otherwise stated.

## Function

When the operating current is applied a thermostat with expanding medium is heated which after a pause period causes stroke movement.

## Opening and closing time



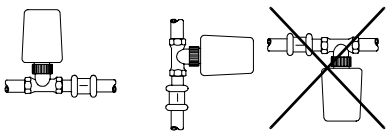
NOTE: Opening and closing times depend upon ambient temperature and model.

## Ordering information

| Order text  | Voltage | Valve action*  | OS-No.   |
|---|---------|--|----------|
| M100 small linear thermoelectric actuator                                 | 24V     | Valve closed without current (valve opens when heated) | M100-AG  |
|   | 24V     | Valve open without current (valve closes when heated)  | M100-AO  |
|   | 230V    | Valve closed without current (valve opens when heated) | M100-BG  |
|   | 230V    | Valve open without current (valve closes when heated)  | M100-BO  |
| M100 small linear thermoelectric actuator – with auxiliary switch         | 24V     | Valve closed without current (valve opens when heated) | M100-AGE |
|   | 230V    | Valve closed without current (valve opens when heated) | M100-BGE |
| M100 small linear thermoelectric actuator – low initial power consumption | 24V     | Valve closed without current (valve opens when heated) | M100-AGX |
|   | 24V     | Valve open without current (valve closes when heated)  | M100-AOX |
|   | 230V    | Valve closed without current (valve opens when heated) | M100-BGX |
|   | 230V    | Valve open without current (valve closes when heated)  | M100-BOX |

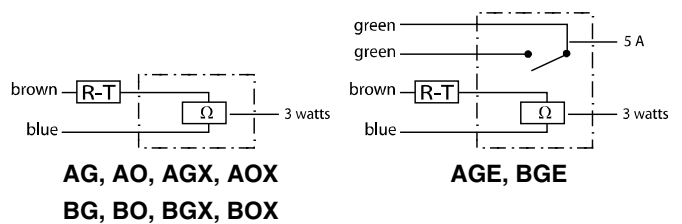
\*with 2-way valve → stem down to close

## Installation positions



NOTE: Connection leads must not touch the piping (heat transfer).

## Wiring diagram



## Accessories

- ZA100M-D Adapter for Danfoss-Valve RAVL
- ZA100M-GD Adapter for Danfoss-Valve RA

**Honeywell**

**ROBINEX** AG  
SA

Armaturen Robinetterie Rubinetterie  
Bernstrasse 36, CH-4663 Aarburg/Oftringen  
Telefon 062 787 70 00, Fax 062 787 70 01  
info@robinex.ch, www.robinex.ch