

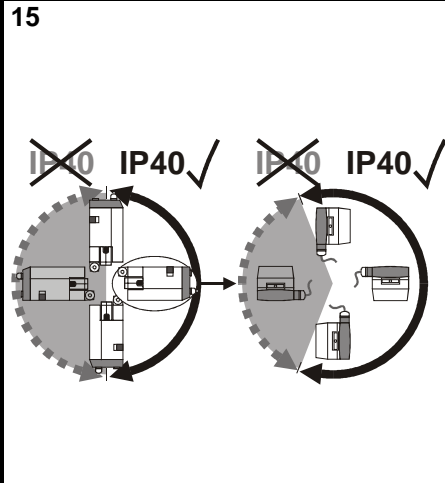
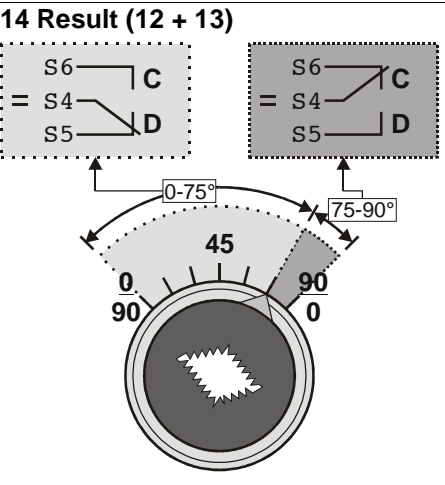
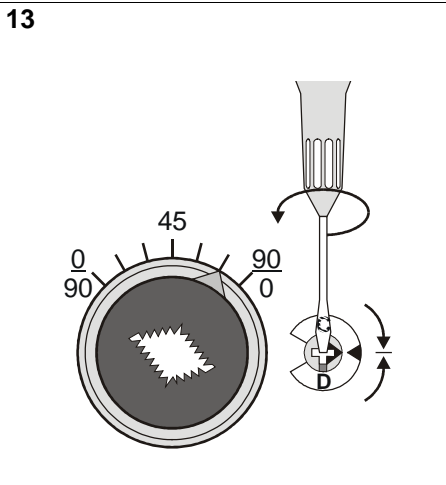
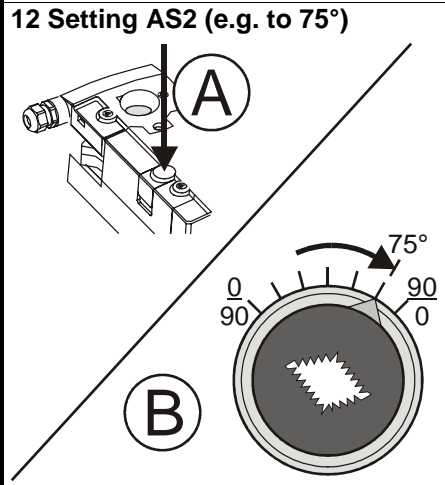
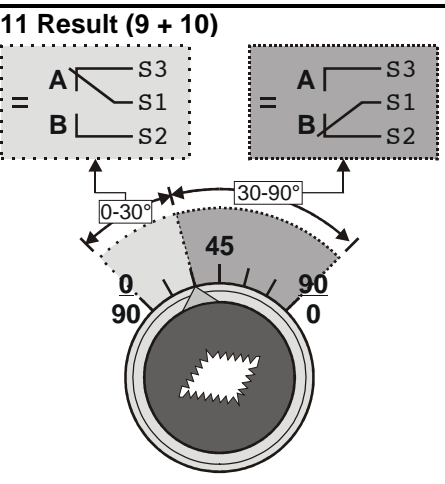
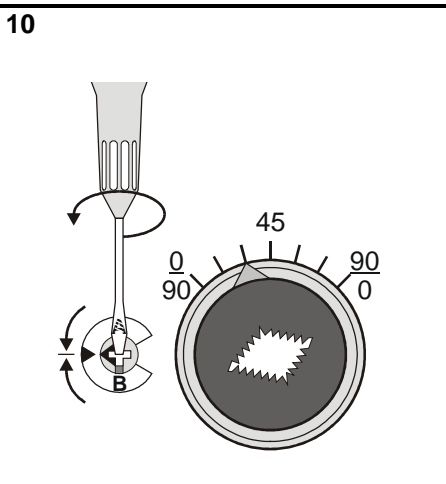
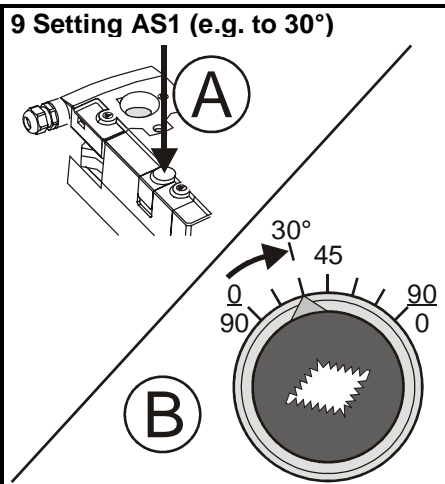
D Montageanweisung
 DK Installasjonsinstruktus
 ES Instrucciones de montaje
 F Instructions d'installation
 I Istruzioni di montaggio
 N Installationsinstruktioner
 NL Installatievoorschrift
 S Installation instruktioener
 FI Asennusohje



SW2 Auxiliary Switch Kit for SmartAct Damper Actuators


INSTALLATION INSTRUCTIONS

<p>1</p> <p>$\varnothing \geq 8 \text{ mm}$</p> <p>(A)</p> <p>(B)</p>	<p>2</p> <p>(B)</p> <p>(A)</p>	<p>3 (optional)</p> <p>(A)</p> <p>(B)</p> <p>(C)</p>
<p>4 (optional)</p> <p>(B)</p> <p>(A)</p>	<p>5 (optional)</p> <p>(A)</p> <p>or</p> <p>(A)</p> <p>(B)</p> <p>(C)</p>	<p>6 (optional)</p> <p>(B)</p> <p>(A)</p> <p>(C)</p>
<p>7</p> <p>AS1</p> <p>A — S3 B — S1 S2</p> <p>AS2</p> <p>S6 — C S4 — D S5 — D</p> <p>45</p> <p>0 90 90 0</p> <p>(A)</p> <p>(B)</p> <p>(C)</p> <p>(D)</p>	<p>8 Settings AS1, AS2</p> <p>9-14</p>	<p>E optional or</p> <p>D optional oder</p> <p>DK valgfrihed eller</p> <p>ES opcional o</p> <p>F optionnel ou</p> <p>I opzionale o</p> <p>N optionell eller</p> <p>NL optioneel of</p> <p>S optionell eller</p> <p>FI optio tai</p>



E	result	setting	e.g. to
D	Ergebnis	Einstellen	Z.B.auf
DK	resultat	justering	f. eks
ES	resultado	ajuste	e.g. en
F	résultat	ajustment	p.a. au
I	risultato	aggiustaggio	p.e. in
N	resultat	justering	f. eks
NL	resultat	instellen	b.v.
S	resultat	inställning	ex.
FI	tulos	asetta	esim

NOTE:
SW2-US is UL-approved,
but does not include cable.



ROBINEX AG SA

Armaturen Robinetterie Rubinetterie
Bernstrasse 36, CH-4663 Aarburg/Oftringen
Telefon 062 787 70 00, Fax 062 787 70 01
info@robinex.ch, www.robinex.ch