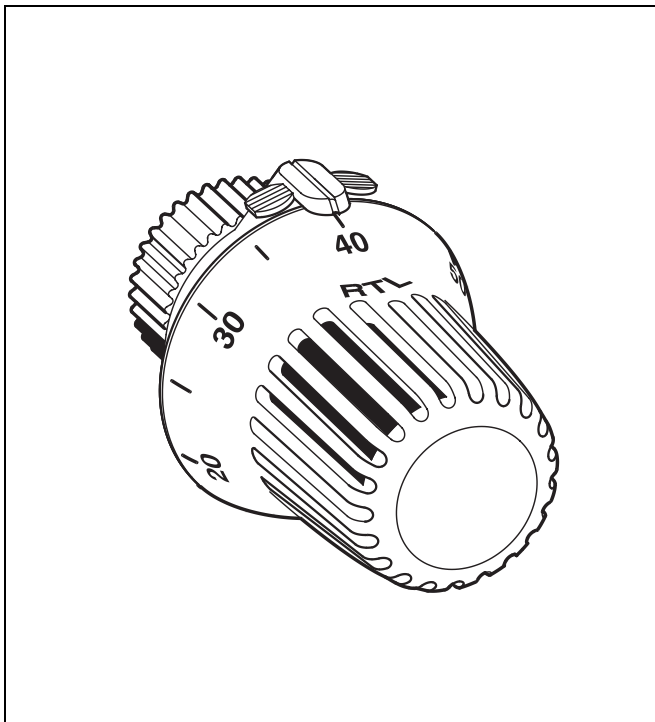


T6102 Thera-RTL

RETURN TEMPERATURE LIMITER

PRODUCT DATA



Design

The temperature limiter consists of:

- Handwheel with lid and socket
- M30 x 1.5 connection and 11.5 mm closing dimension
- Sensor with support cage
- Spindle assembly
- Connection nut

Materials

- Handwheel, lid and socket made of plastic, white to RAL9016
- Support cage and spindle construction made of plastic
- Sensor filled with wax
- Connection nut made of nickel-plated brass

Application

The Thera-RTL limits the return flow temperature of radiators or, in case of combined radiator/underfloor heating systems, the return flow temperature of underfloor heating loops.

The system designer has to make sure that the supply temperature is suitable for the floor design of the underfloor heating system. A too high supply temperature may result in damage to the floor.

Features

- **Easy readability of set temperature from every angle**
- **Equipped with concealed limiting and blocking tabs**
- **Set temperature range 20 to 50°C at nominal flow rate**
- **Usable with standard Honeywell BB and KV type radiator valves**

Specifications

Thermostat connection	M30 x 1.5
Setpoint range	20...50°C (68...122°F)
k_{vs} -value	0.14 - 1.85; see flow diagram

NOTE: k_{vs} -values refer to combination of return temperature limiter and BB or KV type TRV - for more information see 'Accessories' on following page and Product Data Sheets of these products.

Function

Return temperature limiter are installed in the return of a radiator or underfloor heating loop. When the return flow temperature rises the valve closes and the flow through the heating loop is throttled. When the return flow temperature decreases the valve opens and the flow increases.

Dimensions and Ordering Information

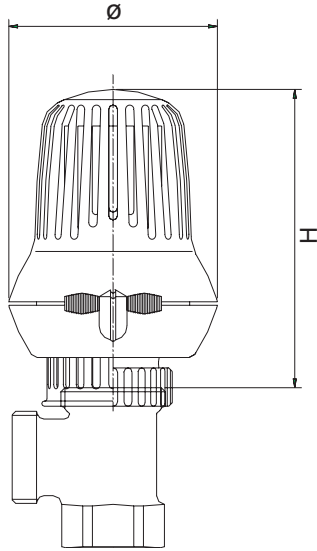


Fig. 1. Dimensions

Table 1. Dimensions

Type	H closed	H open	Ø
Thera-RTL	87	93	60

NOTE: All dimensions in mm unless stated otherwise.

Table 2. Available versions and OS-Nos (OS=Ordering Specification)

Type	OS-No.
Thera-RTL	T6102

Please Note:

- To avoid stone deposit and corrosion the composition of the medium should conform with VDI-Guideline 2035
- Additives have to be suitable for EPDM sealings
- System has to be flushed thoroughly before initial operation with all valves fully open
- Any complaints or costs resulting from non-compliance with above rules will not be accepted by Honeywell
- Please contact us if you should have any special requirements or needs

Installation Example

Thera-RTL as return temperature limiter of a radiator

Thera-RTL for control of combined radiator/ underfloor heating loop

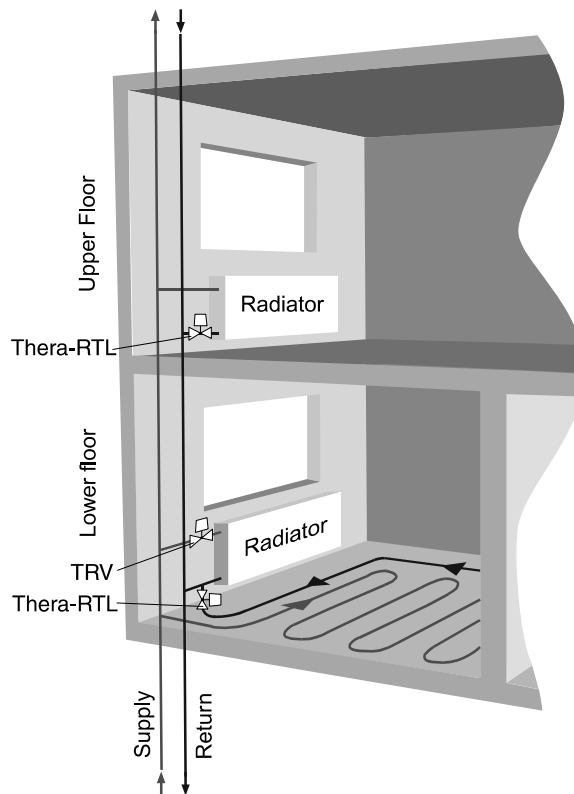


Fig. 2. Installation example

NOTE: See product data 'Underfloor heating controllers' for control of single underfloor heating loops.

Accessories

Straight pattern TRV body, union-nut and tailpiece on valve inlet



BB, kvs 0.62

V2000IBB15

NOTE: Install valves in correct flow direction - see arrow on valve housing

Angle pattern TRV body, union-nut and tailpiece on valve inlet



BB, kvs 0.62

V2000HBB15

NOTE: Install valves in correct flow direction - see arrow on valve housing

Straight pattern TRV, union-nut and tailpiece on valve outlet



BB, kvs 0.62

V2000DBB15

UBG, kvs 1.85

V2000DUB15

NOTE: Install valves in correct flow direction - see arrow on valve housing

Angle pattern TRV, union-nut and tailpiece on valve outlet



BB, kvs 0.62

V2000EBB15

UBG, kvs 0.62

V2000EUB15

NOTE: Install valves in correct flow direction - see arrow on valve housing

Flow Diagram

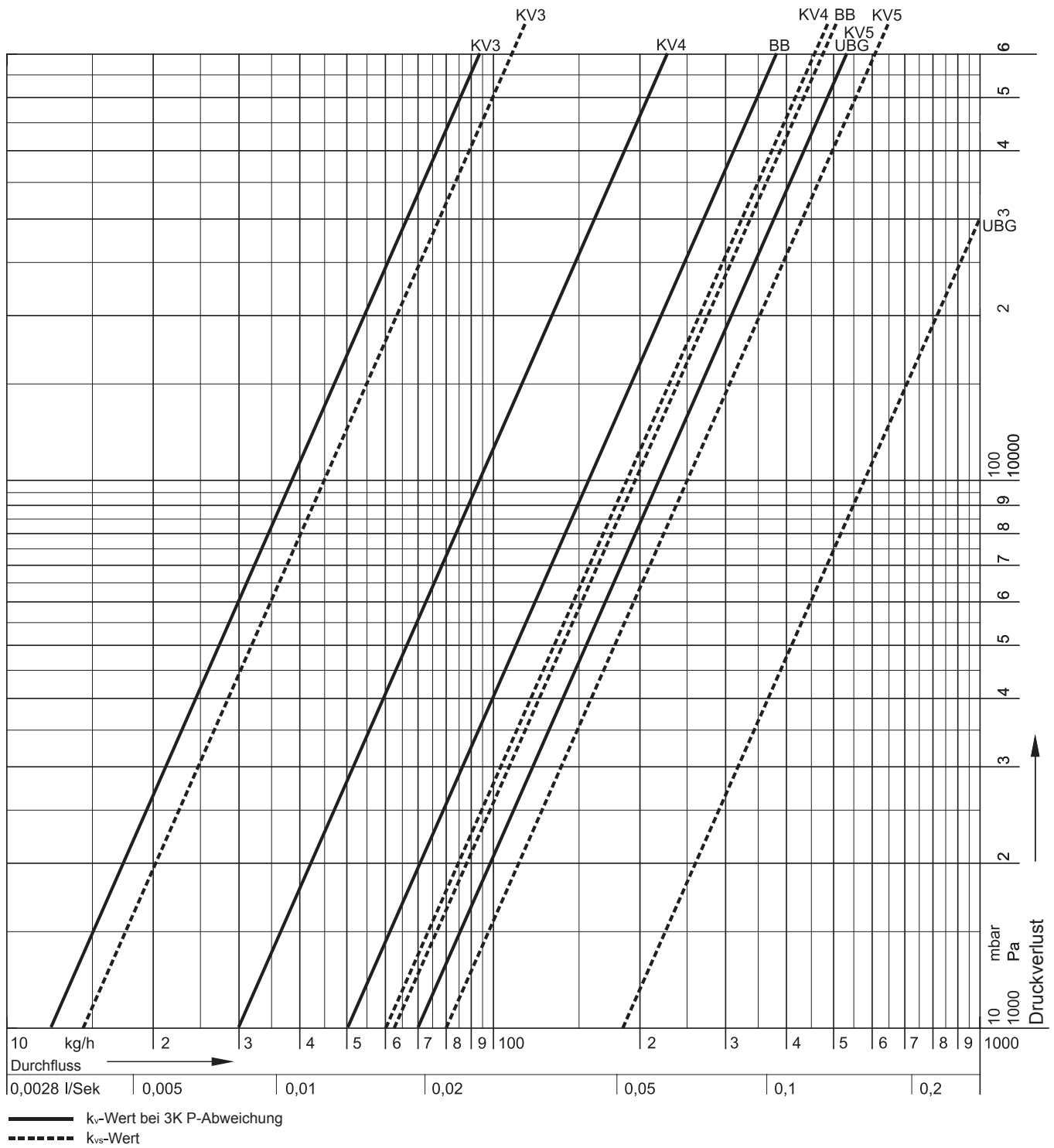


Table 3. Flow values

TRV	BB	KV4
k_{vs} -value at 3K P-deviation	0.50	0.30
k_{vs} -value	0.62	0.60

ROBINEX AG
SA

Armaturen Robinetterie Rubinetterie
 Bernstrasse 36, CH-4663 Aarburg/Oftringen
 Telefon 062 787 70 00, Fax 062 787 70 01
 info@robinex.ch, www.robinex.ch

Honeywell