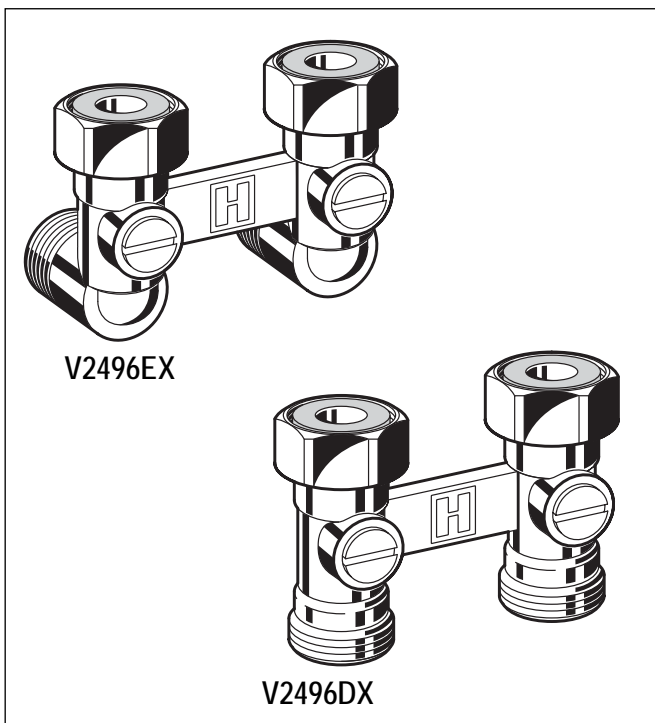


V2496 Verafix-VKE

H-BLOCK FOR COMPACT RADIATORS

PRODUCT DATA



Application

The Verafix-VKE is an lockshield valve for compact radiators with connection centres of 50 mm. It is used on two-pipe systems with radiators which have integral valves to regulate and shut-off individual radiators.

Verafix-VKE is suitable for hot water heating systems.

Verafix-VKE with 1/2" internal threads are suitable for radiators which include the following makes:

Bemm	Finimètal	Northor	Superia
Concept	Ferrolì	Purmo	Thor
Dia-Norm	Henrad	Radson	VEHA
Dia-therm	Korado	Schäfer	Vogel & Noot
Dura	Manaut	Stelrad	

Verafix-VKE with 3/4" external threads are suitable for radiators which include the following makes:

Baufa	Buderus	Kermi	Ribe
Brötje	De Longhi	Reusch	RIOPanel
Brugman			

Features

- **Optional flow direction. Performance values apply for both directions of flow.**
- **Robust brass housing**
- **Connection on pipework side 3/4" external thread for copper, soft steel, plastic and composite pipes**
- **Connectors on radiator side 1/2" internal or 3/4" external thread**

Specifications

Medium	Water
pH-value	8...9,5
Operating temperature	max. 120°C (248°F)
Operating pressure	max. 10,0 bar (145 psi)
kvs-value	
VKE-straight	3,5
VKE-angle	2,4

Design

The Verafix-VKE consists of:

- Straight valve body for floor connection or angle valve body for wall connection
- Ball valve insert
- Radiator connection nuts
- Universal externally threaded connections (Eurotaper connections) suitable for copper, precision steel tube, plastics and composite tube (see accessories for external thread fittings)

Materials

- Hot-forged brass body
- Brass nickel ball valve insert
- EPDM O-ring sealings
- Brass union connections
- Brass radiator connection nuts
- Seat sealings PTFE
- EPDM sealings

Function

The supply and return of the radiator can be shut-off by turning the ball valve inserts of the Verafix-VKE to the horizontal position with a screwdriver. The valves are supplied set fully open.

Dimensions

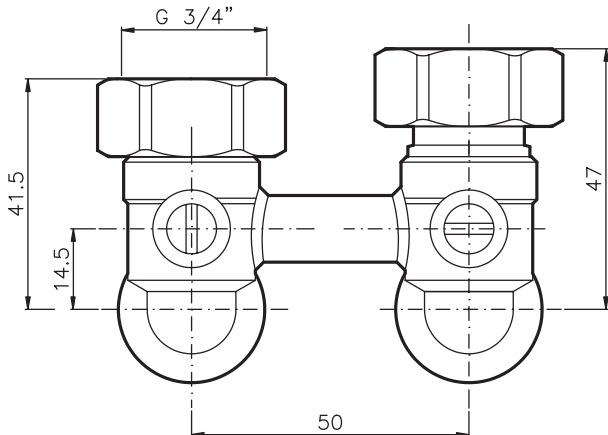


Fig. 1. Dimensions Verafix-VKE angle with flat seal and cone

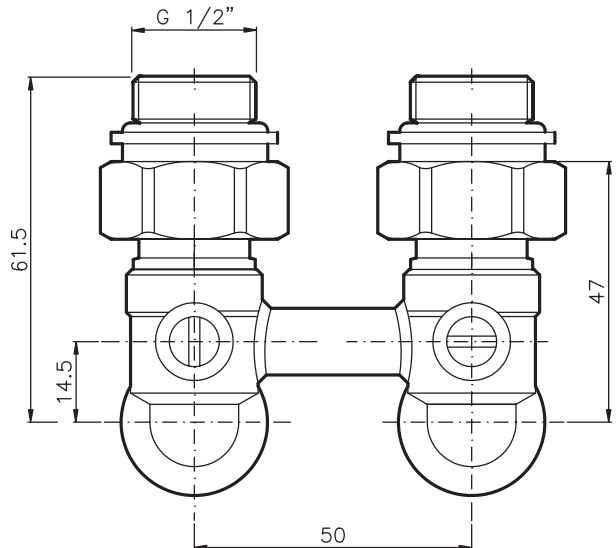


Fig. 2. Dimensions Verafix-VKE angle with flat seal and double nipple

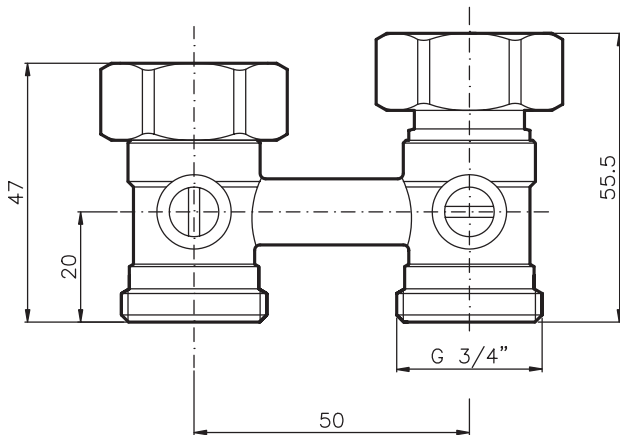


Fig. 3. Dimensions Verafix-VKE straight with flat seal and cone

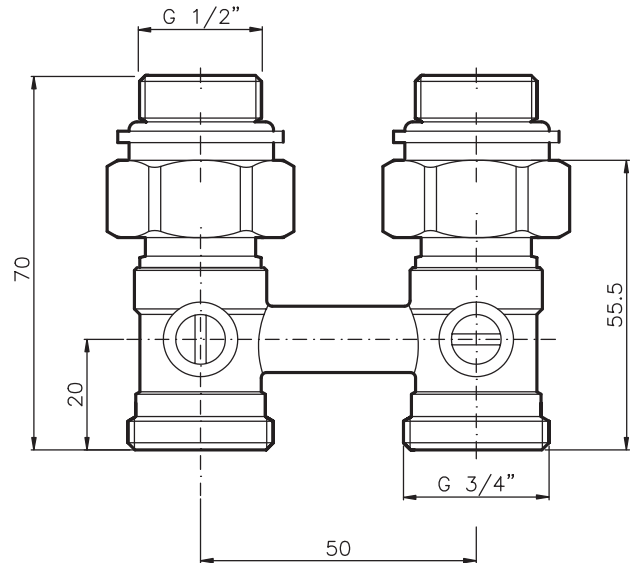


Fig. 4. Dimensions Verafix-VKE straight with flat seal and double nipple






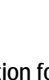
NOTE: All dimensions in mm unless otherwise stated.

Ordering Information






Type	Pipe connection	Radiator connection	DN	kvs-value	OS-No.
Angle (wall connection) flat seal and cone	3/4" external	3/4" external	15	2,4	V2496EX020
Angle (wall connection) flat seal and double nipple	3/4" external	1/2" internal	15	2,4	V2496EY015
Straight (floor connection) flat seal and cone	3/4" external	3/4" external	15	3,5	V2496DX020
Straight (floor connection) flat seal and double nipple	3/4" external	1/2" internal	15	3,5	V2496DY015

Accessories



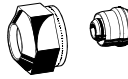
Connection for valves with external threads, consisting of 2 connections for copper and soft steel pipe with support inserts

	3/4" x 10 mm	VA7200A010
	3/4" x 12 mm	VA7200A012
	3/4" x 14 mm	VA7200A014
	3/4" x 15 mm	VA7200A015
	3/4" x 16 mm	VA7200A016
	3/4" x 18 mm	VA7200A018


Connection for valves with external threads, consisting of 2 connections for plastic pipe

	3/4" x 12 x 2 mm	VA7210A012
	3/4" x 14 x 2 mm	VA7210A014
	3/4" x 16 x 2 mm	VA7210A016
	3/4" x 17 x 2 mm	VA7210A017
	3/4" x 18 x 2 mm	VA7210A018


Connection for valves with external threads, consisting of 2 connections for Unipipe and alpeX-therm composite pipe

	3/4" x 14 x 2 mm	VA7220A014
	3/4" x 16 x 2 mm	VA7220A016
	3/4" x 18 x 2 mm	VA7220A018


Double nipple (2 pcs.)

	for all V2496	VS3296A015
---	---------------	------------

Flat seal

	for all V2496	VA5096A015
---	---------------	------------

Flat seal and cone (2 pcs.)

	for all V2496	VA5096B015
---	---------------	------------

Installation Example

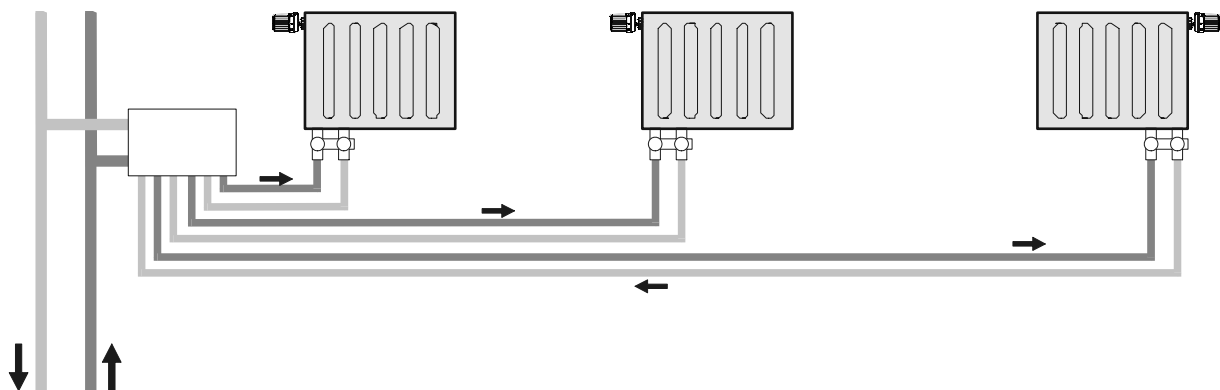
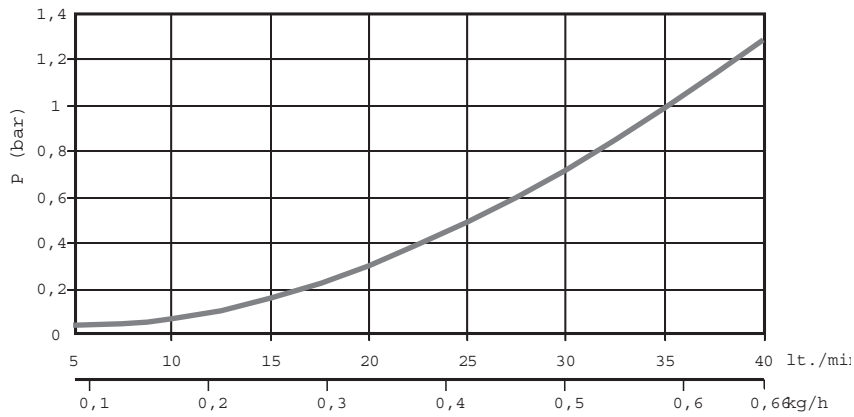


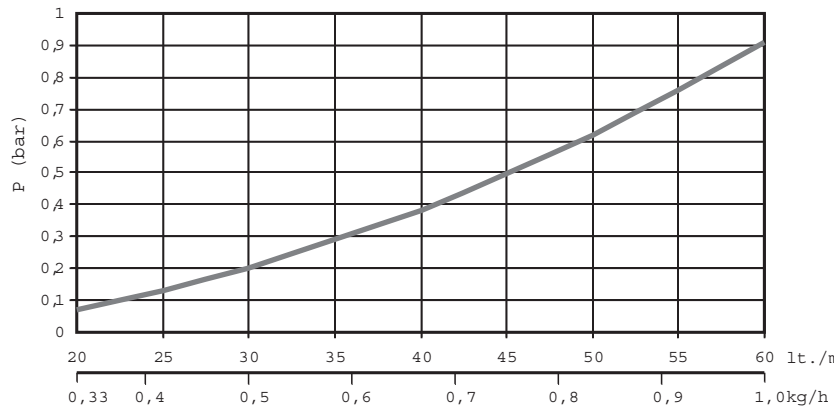
Fig. 3. Two-pipe system with distribution manifold and Verafix-VKE

Flow Diagram VK2496E



lt./min.	5	10	15	20	25	30	35	40
Δp (bar)	0.04	0.07	0.16	0.3	0.49	0.72	0.99	1.29

Flow Diagram VK2496D



lt./min.	20	25	30	35	40	45	50	55	60
Δp (bar)	0.07	0.13	0.2	0.29	0.38	0.5	0.62	0.76	0.91

ROBINEX AG
SA

Armaturen Robinetterie Rubinetterie

Bernstrasse 36, CH-4663 Aarburg/Oftringen

Telefon 062 787 70 00, Fax 062 787 70 01

info@robinex.ch, www.robinex.ch

Honeywell